



# DNH

HEAD OFFICE, NORWAY

**DNH AS**

Phone..... + 47 35 98 56 00

Fax..... + 47 35 98 56 10

E-mail..... dnh@dnh.no

Web-Site..... www.dnh.no

ENGLAND

**DNH WW Ltd**

Phone..... + 44 1908 275 000

Fax..... + 44 1908 275 100

E-mail..... dnh@dnh.co.uk

GERMANY

**DNH GmbH**

Phone... + 49 040 6569 30-0

Fax..... + 49 040 6569 30-30

E-mail..... dnh@dnh.de

## MD-120(T)

USA

**DNH Speakers Inc**

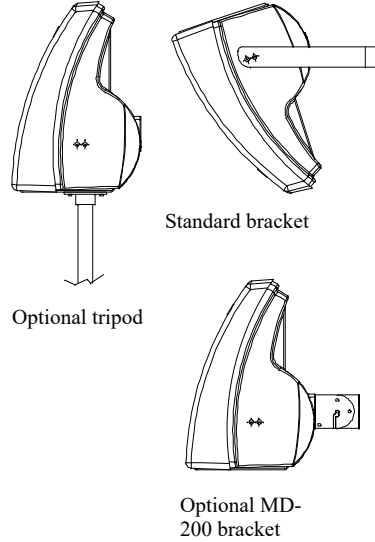
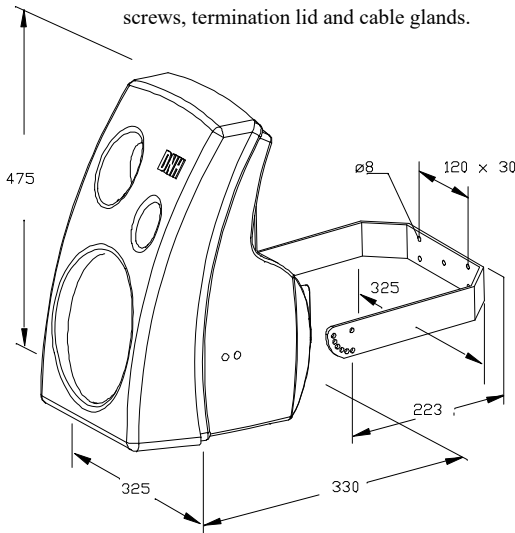
Phone..... + 1 484 494 5790

Fax..... + 1 484 494 5793

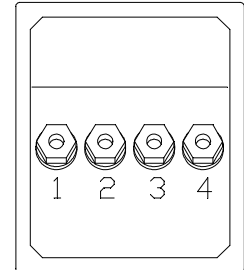
E-mail..... dnh@dnhspeakers.com

ISO 9001 CERTIFIED

MD-120 is delivered with stainless steel bracket, screws, termination lid and cable glands.

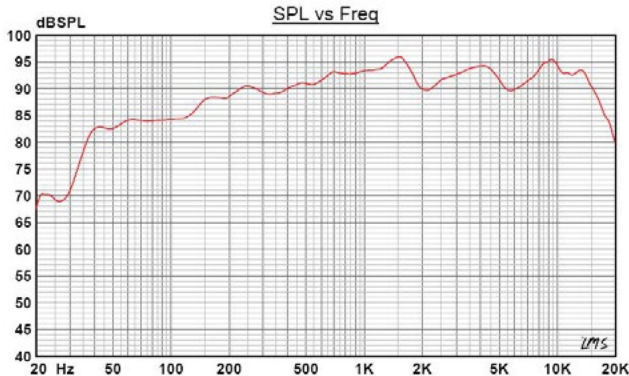


MD-120 is available with transformer on request:



Primary tappings	
1 / 2	120 W
1 / 3	60 W
1 / 4	30 W

Sound pressure levels at 1W/1m



Specifications

Material / Color	PE / Black
Mounting	Bracket
Termination	Screw terminal
Weight w/transformer	6,0 kg
IP-rating	44*
Max. / min. amb. temp	90°C / -40°C
Rated / max. power	120 W / 150 W
SPL 1W/1m	91 dB
SPL rated power	112 dB
Effective freq. range	35 – 20000 Hz
Dispersion (-6dB) 1kHz / 4kHz	NA
Options	Impedances, colors, labels

### Installation, Operation and Maintenance Procedures

- MD-120 is available with 120W transformer and optional brackets on request.
  - Fasten bracket to wall or ceiling with 2-4 screws and fasten MD-120 using 4 screws to wanted position.
  - Unscrew lid (4 screws), lead cable through cable gland and connect to terminal.
  - Screw on lid with enclosed gasket and tighten cable glands to assure a good sealing towards cable.
  - For optimum performance, always use the correct voltage / power and operate within the frequency limits as stated.
  - Do not open loudspeaker when energized.
  - This loudspeaker is supplied with a 2 year warranty against defective workmanship.
- \* To achieve IP 44 the loudspeaker should be mounted with the grill at least 30 degrees downwards.

DNH reserves the right to alter specifications without notice

